



TECHNICAL SHEET



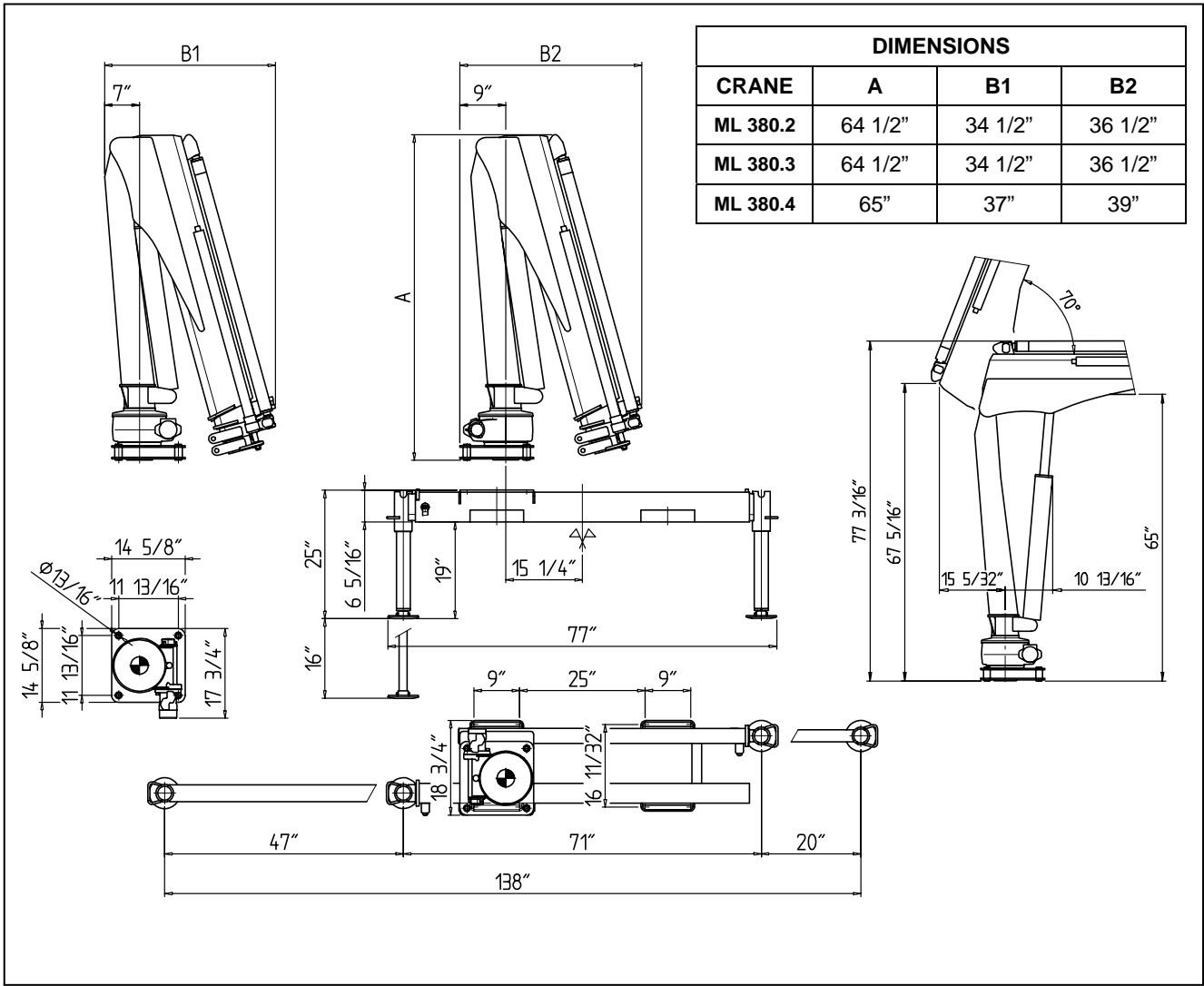
maxilift 380

Cod.: MP.0.170 US
Rev.: 0

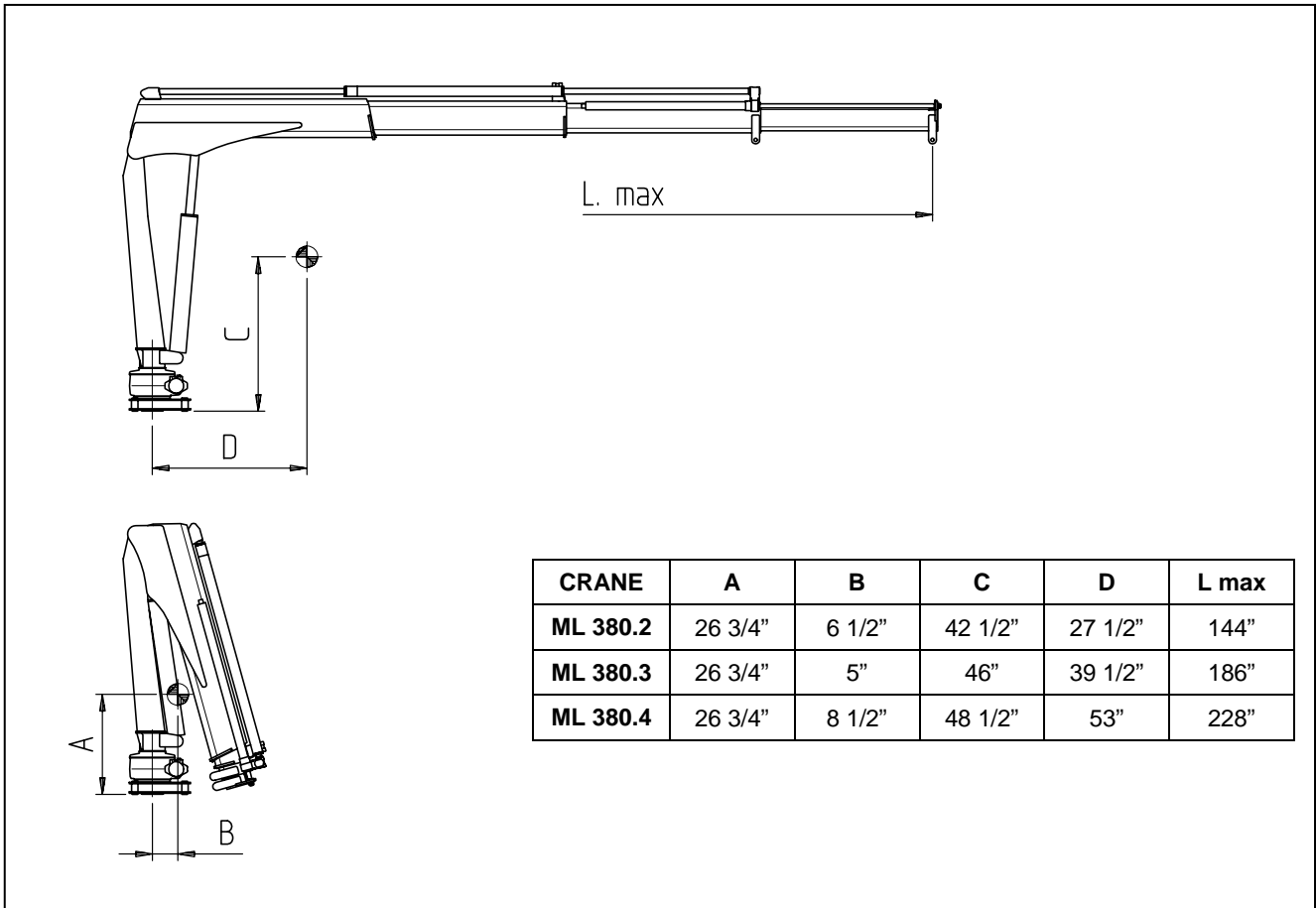


Next Hydraulics®
RAISE YOUR EXPECTATIONS





DIMENSIONS			
CRANE	A	B1	B2
ML 380.2	64 1/2"	34 1/2"	36 1/2"
ML 380.3	64 1/2"	34 1/2"	36 1/2"
ML 380.4	65"	37"	39"



CRANE	A	B	C	D	L max
ML 380.2	26 3/4"	6 1/2"	42 1/2"	27 1/2"	144"
ML 380.3	26 3/4"	5"	46"	39 1/2"	186"
ML 380.4	26 3/4"	8 1/2"	48 1/2"	53"	228"

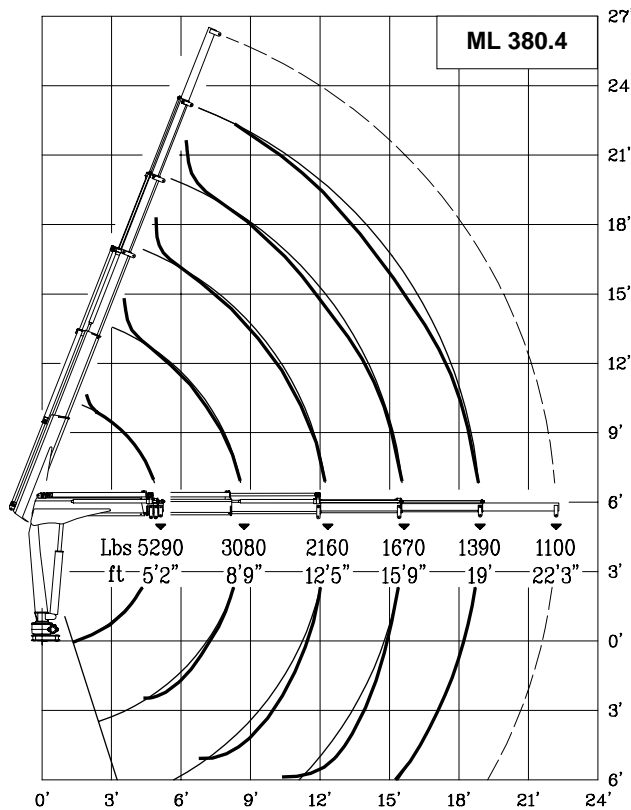
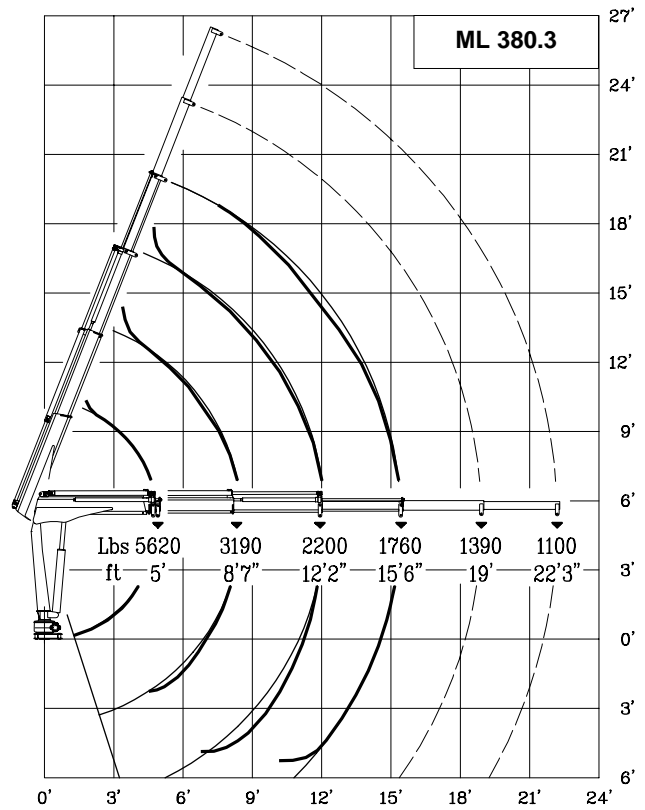
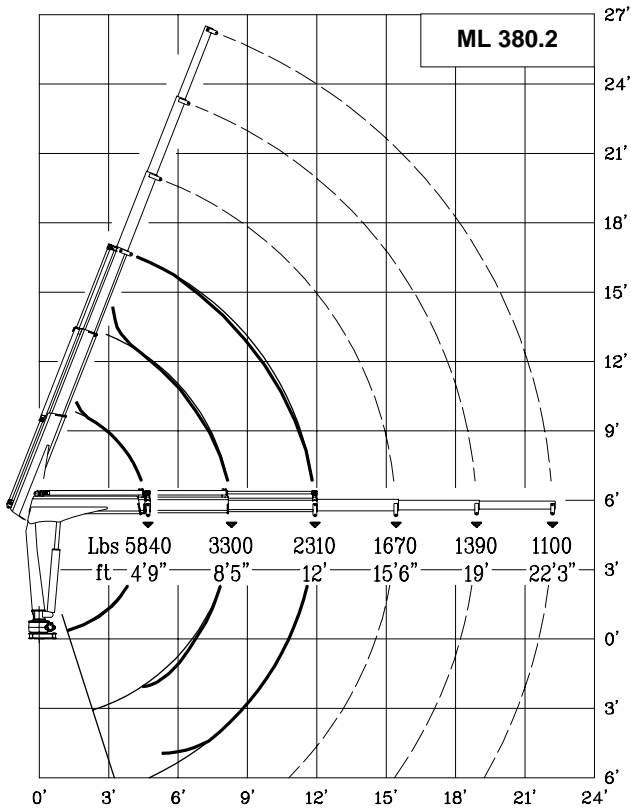
TECHNICAL DATA	U.M.	VERSION			
		ML 380.2	ML 380.3	ML 380.4	
CRANE RATING	ft lbs	27300			
STANDARD EXTENSIONS Nr (HYDRAULICS)	N°	2H	3H	4H	
STANDARD OUTREACH	ft	12'	15' 6"	19'	
SLEWING ANGLE	°	360°			
MAXIMUM ANGLE SLOPE	°	5°			
SLEWING TORQUE	ft lbs	3540			
MAX. LIFTING HEIGHT FROM CRANE BASE	ft	16' 5"	16' 8"	23'	
SUGGESTED OIL FLOW	gpm	3.2÷4			
MAX. WORKING PRESSURE	p.s.i.	3190			
BASIC CRANE WEIGHT	lbs	VERS. "H"	685	760	825
		VERS. "E"	725	805	870
BASE WEIGHT WITH EXTENDABLE STABILIZERS	lbs	348÷352			
BEAM WEIGHT WITH 2 EXTENDABLE STABILIZERS	lbs	152÷183			
MOTOR ABSORPTION FOR ELECTROHYDR. CRANE 12V	A min/max	80/260	80/260	80/260	
MOTOR ABSORPTION FOR ELECTROHYDR. CRANE 24V	A min/max	50/160	50/160	50/160	

WINCH SPECIFICATIONS	U.M.	
MAX. WINCH SINGLE LINE CAPACITY (3 rd LAYER)	lbs	2200
ROPE DIAMETER	inches	5/16"
ROPE LENGTH	ft	98
WINCH KIT WEIGHT	lbs	165

VERSION	DESCRIPTION
"E" 12V	ELECTROHYDRAULIC
"E" 24V	ELECTROHYDRAULIC
"H"	HYDRAULIC

OPERATING TIMES										
VERS.	SLEWING (rpm)	LIFTING (sec)		LOWERING (sec)	EXTENSION OUT (sec)			EXTENSION IN (sec)		
		p min	p max		380.2	380.3	380.4	380.2	380.3	380.4
"E" 12/24V	1.5	27	40	18	24	32	39	14	19	23
"H" (PTO)	1.6	23		18	24	32	39	14	19	23

p min: min. working pressure
p max: max. working pressure



Lifting class **HC1 – HD4/B2**