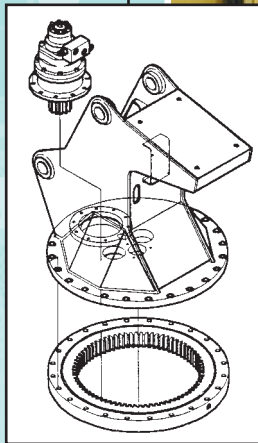


# cobra

8805H

PTO - HYDRAULIC CRANES



**HIGH PERFORMANCE**  
**Light Weight**  
**SERVICE CRANES**

Engineered for a working life of **15 Years\***

... only **COBRA**



Manufactured by  
**Next Hydraulics**® s.r.l.  
BORETTO ITALY

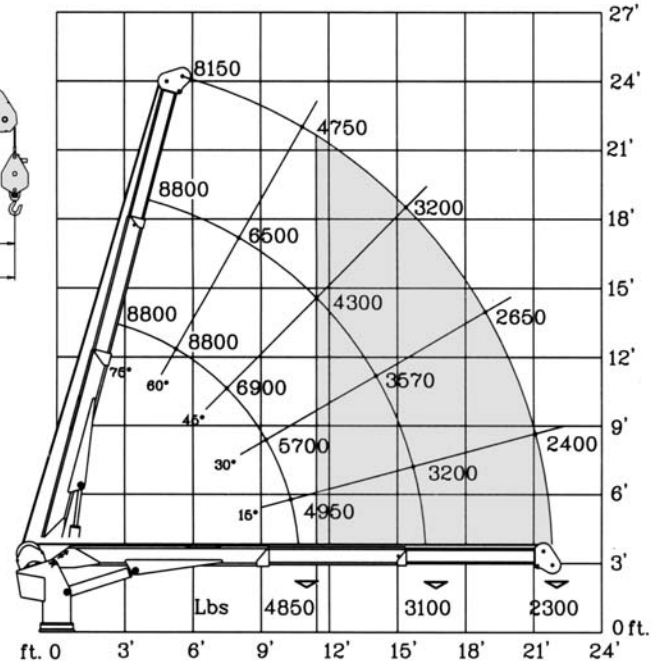
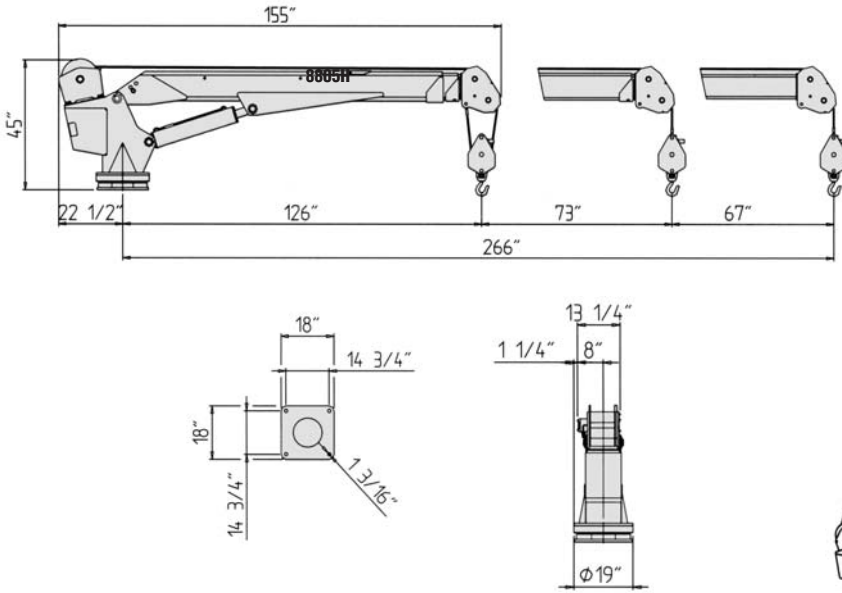


series

# 8805H

## PTO - HYDRAULIC CRANES

Single line working area



\* Cobra crane structures are designed for a normal working life of 12 - 15 years according to the DIN Standard 15018 (load classification H2-B3) with routine service and maintenance. Details available upon request.

### STANDARD FEATURES

- Engineered for 12 - 15 years of normal use\*
- Hexagonal Swedish steel boom for less weight
  - Remote control with 26 ft cable and plug
    - Planetary hydraulic hoist winch
      - Load limiting device
- Shear-ball bearing rotation system with planetary drive
  - Anti-2 block safety switch
  - Emergency manual overrides
- Proportional "winch + 1" remote control
- Proportional multi-function remote control
  - 2 part load block
    - Crane is sand-blasted, painted with epoxy primer and polyurethane enamel

### COBRA MODEL 8805H

#### TECHNICAL DATA

Crane lift moment	52,000 ft. lbs.
Standard outreach	22'
Lifting height (from crane base)	22'
Boom elevation angle	-10 to 75 degrees
Slewing angle	continuous unlimited
Slewing Torque	5,100 ft.lbs.
Winch capacity, single line	5,060 lbs.
Winch capacity, two line	8,800 lbs.
Winch speed (2-3 wrap)	33-40 fpm
Wire rope, non-rotating	115' of 7/16"
Load hook rating	4.5 metric ton
Oil flow & pressure	6-7 gpm - 2,450 psi
Crane weight	1,850 lbs.

### OPTIONS/ACCESSORIES

- Proportional remote control
- Radio (wireless) remote control
- Outrigger stabilizers - manual or hydraulic

DISTRIBUTION and TECHNICAL SUPPORT – CANADA and USA  
**TECHNOCRANE INC.**

#403 - 17665 - 66A Avenue, Surrey, B.C., Canada V3S 2A7

Phone: 604-575-2103 / 1-877-531-8644 • Fax: 604-575-2105

e-mail: info@technocrane.ca • Website: www.technocrane.ca

